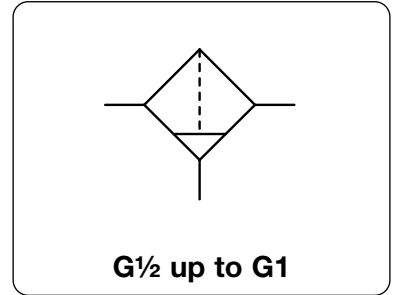


Description	Compressed air filter of modular design with exchangeable inserts. Can be interlocked with regulator or lubricator without need for double nipples. Each "maxi" device may be taken from a fixed line in seconds by simply removing the mounting bolts.
Filter element	40 µm, optionally 5 µm, made of polypropylene
Bowl	metal version with sight glass
Drainage	manual drain as standard, optionally automatic or semiautomatic drain, for max. 12 bar
Operating pressure	max. 17 bar
Temperature range	0 °C to 70 °C / 32 °F to 158 °F 0 °C to 50 °C / 32 °F to 122 °F for automatic or semiautomatic drain version
Material	Body: zinc die-cast Sight glass: polyurethane Bowl: zinc die-cast Elastomer: NBR/Buna-N



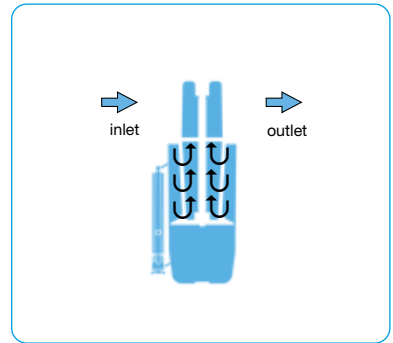
Dimensions			Bowl	Flow	Supply	Filter	Connection	Order
A	B	C	Design	Capacity	rate	max.	thread	number
mm	mm	mm	made of / with	l	m³/h*1	l/min*1	bar	µm

"Maxi" compressed air filter			with manual drain supply pressure max. 17 bar				F20		
89	191	171	metal/sight glass	0.3	288	4800	40	G½	F20-04WJ
				0.5	216	3600	5		F20-04WG
111	191	171	metal/sight glass	0.3	408	6800	40	G¾	F20-06WJ
				0.5	294	4900	5		F20-06WG
				0.3	420	7000	40	G1	F20-08WJ
				0.5	300	5000	5		F20-08WG



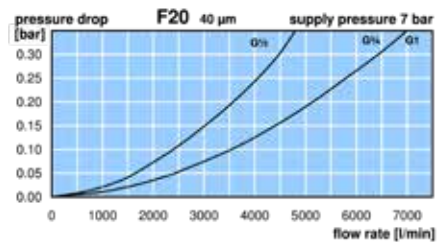
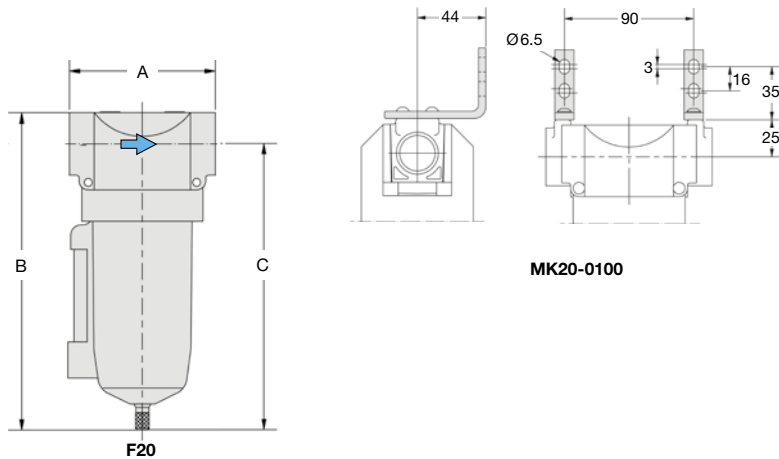
Special options, add the appropriate letter

NPT	connection thread	F20-0 .W .N
semiautomatic drain	RK500SY, max. 12 bar	F20-0 .W .M
automatic drain	SA605MD, max. 12 bar	F20-0 .W .R



Accessories, enclosed

mounting bracket set	made of steel	MK20-0100
-----------------------------	---------------	------------------



*1 at 7 bar supply pressure and 0.33 bar pressure drop

Extensions: see chapter for FRL service units

PDF CAD
www.aircom.net



Order example:
F20-04WJ